

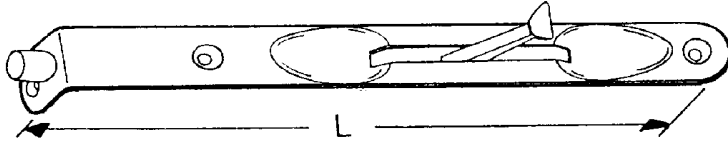


Izerwaren
Order
number

- High quality flush bolts
- Finish: Satin or polished stainless steel
- Brass flush bolts:
 - Finish: polished brass (un-lacquered)
 - polished chrome plated brass
 - satin chrome plated brass
 - custom finish



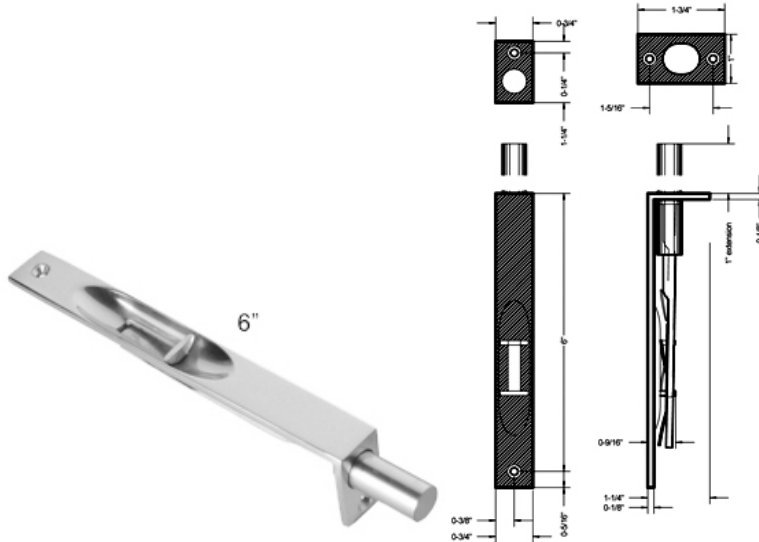
#55.509 304 stainless steel flush bolts size: 20 x 250 mm; depth: 50 mm
Positive locking in open and closed position



#55.509 Flush bolt size: 20 x 250 mm (3/4" x 9 7/8")

55.509 **Flush Bolt, heavy duty stainless steel**
304 stainless steel
Dimensions: 20 mm x 250 mm,
depth: 50 mm; throw: 150 mm
Finish: Satin or polished stainless steel

55.524 **Flush Bolt, heavy duty stainless steel**
304 stainless steel
Dimensions: **20 mm x 400 mm**
depth: 50 mm; throw: 15 mm
Finish: Satin or polished stainless steel



#55.264 Flush Bolt, medium duty; brass, with some steel parts
Operates by push lever; not positive locking
Dimensions: 18 mm x 152 mm; depth: 33 mm; throw: 25 mm
Flush bolt 3/4" x 6"; depth: 1 5/16"; throw: 1" Bolt diameter.
Finish: polished brass and polished or satin chrome; interior use

55.264 **Flush Bolt, medium duty**
brass, with some steel parts
Operates by push lever; not positive locking
Dimensions: 18 mm x 152 mm;
depth: 33 mm; throw: 25 mm
(3/4" x 6" x 1 5/16"; throw: 1")
Finish: polished or satin chrome
interior use



#55.668 series flush bolt 3/4" x 6"; depth: 1 5/16"; throw: 5/8";
Solid brass with stainless steel pins and springs.
Positive locking in open or closed position
Marine grade.

55.668 **Flush Bolt, medium duty**
brass, with stainless steel parts
Positive locking in open or closed position
Dimensions: 20 mm x 152 mm;
depth: 33 mm; throw: 15 mm
(3/4" x 6" x 1 5/16"; throw: 5/8")
Finish: polished or satin chrome



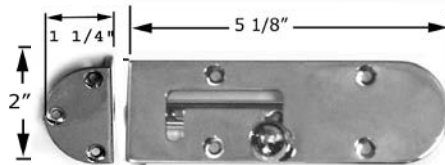
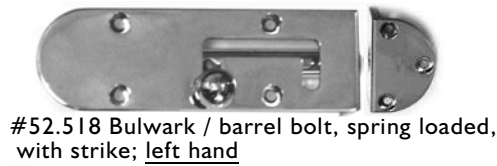
#55.3251 flush bolt 102 x 15 mm; polished brass Bolt: 8 mm diameter
#55.3252 flush bolt 102 x 15 mm; polished chrome Throw: 14 mm
Operates by push lever; not positive locking

55.3251 **Flush Bolt, light duty brass**
55.3252 **Flush Bolt, light duty chrome**
Operates by push lever; not positive locking
Dimensions:
15 x 102 mm, polished brass
15 x 102 mm, polished chrome
Bolt: 8 mm diameter, throw: 14 mm



52.518 **Flush Bulwark / Barrel Bolt**
6 3/8" x 2" x 1"
Spring-loaded; Heavy duty
Build in depth: 3/4"
1/2" inch round bolt;
Extending 1 1/8"
316L stainless steel

Strike plate included
1 1/4" x 2" x 1"



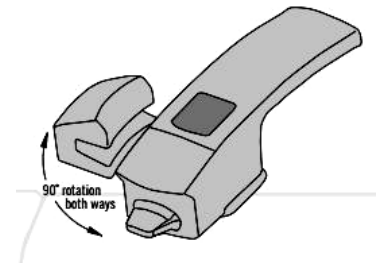
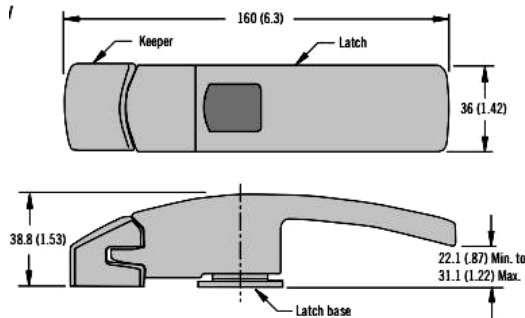
#52.519 Bulwark / Barrel bolt spring loaded
with strike; **right hand**;
Size: 5 1/8" x 2" x 1", Strike 1 1/4" x 2" x 1"



44.55646 **Transom Bolt**
Body: 6.3" x 1.42"
Both Handed
316 stainless steel
Stylish Latch for Transom and
Swim Platform doors.

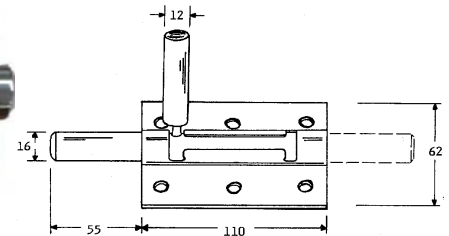
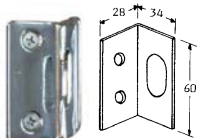


#44.55646 **Transom Bolt / Dive Door Handle**
6.3" x 1.42" Both handed
316 stainless steel

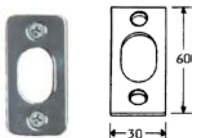


55.206 **Barrel Bolt, heavy duty**
304 stainless steel
Dimensions plate: 62.x 110 mm
Barrel: 16 mm diameter
throw bolt: 55 mm Exterior use

55.207 **Strike angle** 60 x 34 x 28 mm

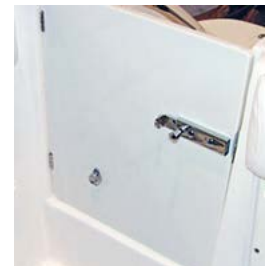
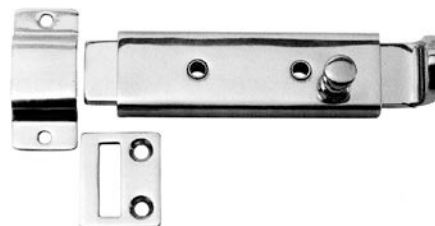


55.208 **Strike flush** 60 x 30 mm



#55.206 Stainless steel barrel bolt plate size: 110 x 62 mm or 4 1/4" x 2 1/2"; Bolt: 16 mm diameter
Finish: Satin or polished 304 stainless steel

44.0604 Transom bolt / barrel bolt;
Size: 4" x 1 1/4" x 1/2"
Throw: 7/8"
316 Stainless Steel



44.0605 #44.0605 #44.0606

#44.0604 Transom bolt / barrel bolt; Body: 100 X 32 X 12 mm; 4" x 1 1/4" x 1/2";
Throw: 7/8" 316 stainless steel
Strike flush #44.0605; Strike angle #44.0606
EXCELLENT FOR BULWARK DOORS



Izerwaren
Order
numbers
44.2909

- High quality barrel bolts

Barrel bolt:
Overall: 133 X 38 X 19 mm;
5 1/4" x 1 1/2" x 3/4"; Throw: 1 1/8"



44.2909 Transom bolt / barrel bolt 5 inch; 316 stainless steel
Overall: 133 X 38 X 19 mm; 5 1/4" x 1 1/2" x 3/4"; Throw: 1 1/8"

44.5455

Barrel bolt:
Overall: 110 X 38 X 19 mm;
4 3/8" x 1 1/2" x 3/4"; Throw: 1"
316 stainless steel



44.5455 Transom bolt / barrel bolt 4 3/8 inch; 316 stainless steel
Overall: 110 X 38 X 19 mm; 4 3/8" x 1 1/2" x 3/4"; Throw: 1"

92.080

Barrel Bolt, light duty
Dimension plate:
50 x 36 mm or 2 x 1 7/16"
Barrel: 10 mm diameter or 3/8"
throw bolt: 32 mm; 1 1/4"
304 stainless steel



#92.080; small barrel bolt with strike plate; plate size: 50 x 36 mm 2" x 1 7/16";
strike: 30 x 36 mm; 1 3/16" x 1 7/16"; throw: 1 1/4". 304 stainless steel

92.2080

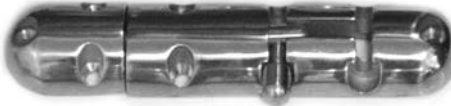
Barrel Bolt, light duty
Dimension plate: 80 x 22 mm
Barrel: flat 12 x 2.5 mm
throw bolt: 20 mm; 3/4"
304 stainless steel



#92.2080 barrel bolt with strike; body: 80 x 22 mm; throw: 20 mm. 3/4 inch
304 stainless steel

92.081

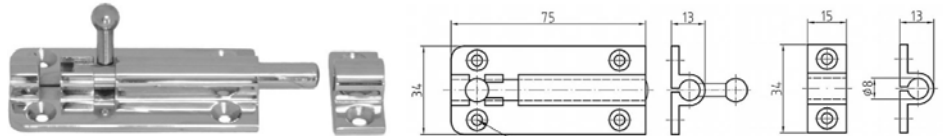
Barrel Bolt, light duty
316 Stainless steel
5" x 1" overall
Bolt: 1/4"; Throw: 1/2"



#92.981 Barrel Bolt; 5" x 1" Bolt: 1/4" diameter; Throw: 1/2" 316 stainless steel

92.2105

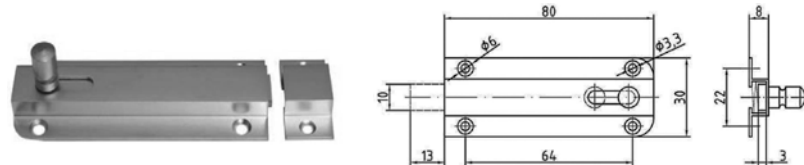
Barrel Bolt, light duty
brass chrome plated
34 x 75 mm
Bolt: 8 mm; Throw: 13 mm



92.2105; Brass chrome plated barrel bolt; 34 x 75 mm; throw: 13 mm

92.3002

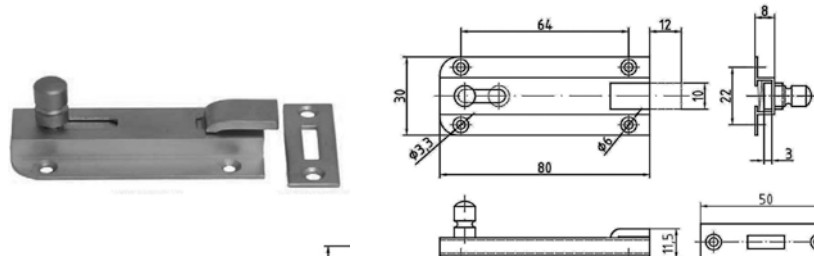
Barrel Bolt, light duty
Brass chrome plated
30 x 80 mm
Bolt flat; Throw: 13 mm



92.3002; Brass chrome plated barrel bolt; 30 x 80 mm; throw: 13 mm

92.3102

Barrel Bolt, light duty
Brass chrome plated
30 x 80 mm
Bolt offset 8 mm; Throw: 13 mm



92.3102; Brass chrome plated barrel bolt offset; 30 x 80 mm; throw: 13 mm



Izerwaren
Order
number

- Heavy duty
- Satin stainless steel
- Polished stainless steel
- PVD coated = Life Time Finish Brass, Gold color



#13.209; door edge pull, 25 mm diameter, built in depth 25 mm material: brass

13.209

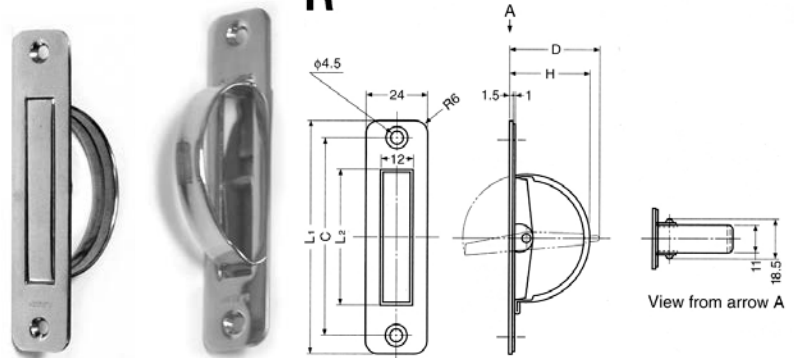
Edge pull,

Brass Diameter: 25 mm or 1 inch
Built in depth: 25 mm or 1 inch.
Black plastic end cap

13.219

Edge pull, heavy duty

Ring model
304 stainless steel
Dimensions 110 x 24 mm
Round corners



#13.219; 110 x 24 mm round corners; built in depth 30 mm; stainless steel

13.249

Edge pull, light duty

Single Hook model
304 stainless steel
Dimensions 100 x 20 mm
Square corners



#13.249; 100 x 20 mm; built in depth 23 mm; material stainless steel

13.229

Edge pull, heavy duty

Double Hook model
304 stainless steel
Dimensions 115 x 25 mm
Square corners
(not depicted)

13.239

Edge pull, medium duty

Double Hook model
304 stainless steel
Dimensions 91 x 22 mm
Square corners

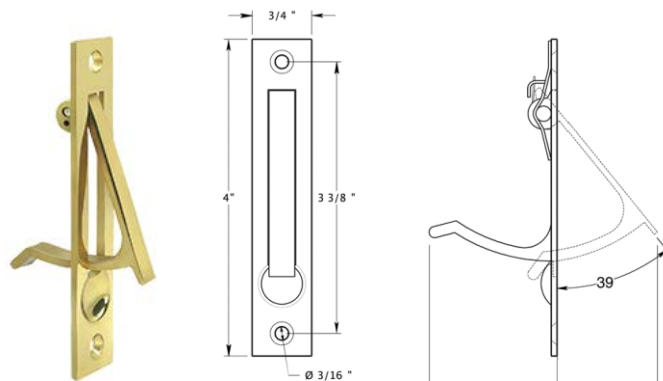


#13.239; 91 x 22 mm; built in depth 35 mm; material stainless steel

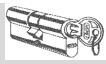
13.475

Edge pull, medium duty

pull model
4 x 3/4 inch; built in depth 1 5/8 inch;
material brass
Square corners
D EP00475U3



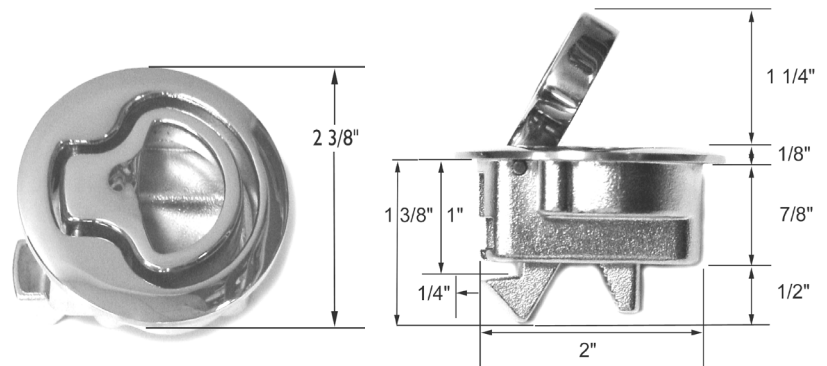
#13.475; 4 x 3/4 inch; built in depth 1 5/8 inch; material brass



Izerwaren
Order
numbers

- 43.F01 **Slam latch for hatches**
Set: latch, mounting ring with screws; strike.
Diameter: 2 3/8"
Built in diameter: 2"
Material thickness: from 1/4" up to 13/16"
Spring loaded slam action on latch bolt
Polished Stainless steel 316;
- 43.F02 **Slam latch for hatch, locking with key**

SLAM LATCH WITH LIFT RING



Slam latch #43.F01

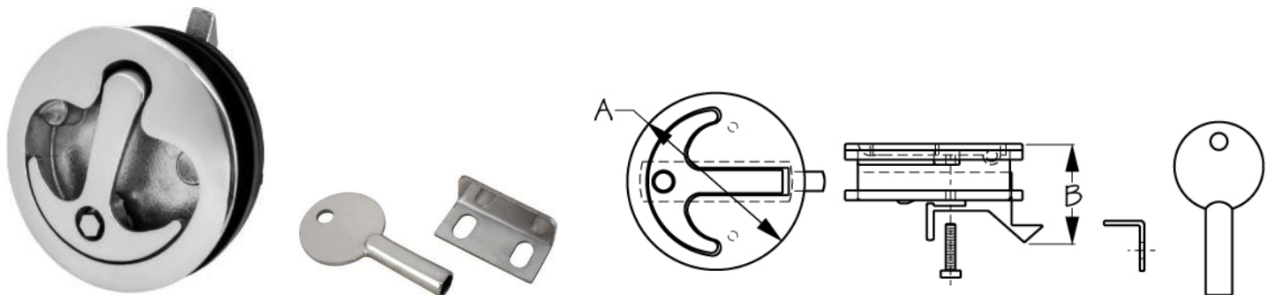
Installation body: Drill hole: 2 1/16" Ø

SLAM LATCH WITH PULL LEVER ANCHOR STYLE



#43.831S Flush Slam latch, Pull type. Anchor style lift ring; strike plate included. **Pull Out** to release.
Dimensions: 2 7/16" (A) x 1 1/2" (B) x 2 1/4" (C) x 3/4" (D) Door thickness: 3/4". 316 Stainless Steel Satin Finish

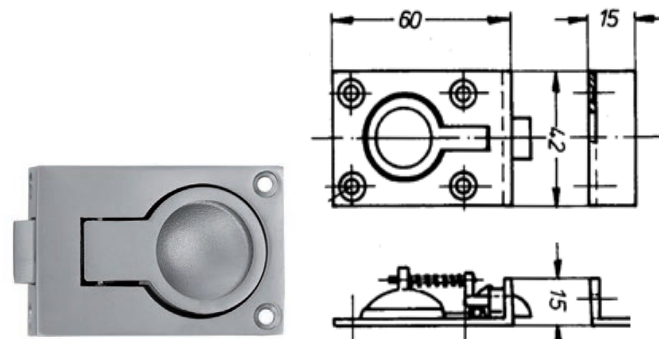
SLAM LATCH WITH LIFT RING ANCHOR STYLE



#43.972 Flush Slam latch with lift ring and angle strike plate, **locking**. **Pull Out** to release.
Dimensions: 2 3/8 diameter (A) x 1 11/16 deep (B) Hole size: 2 inch; Door thickness: 1/4 inch to 3/4 inch
316 Stainless Steel Mirror Polished Finish



#43.9714 Slam latch 2 7/16 diameter (A); drill hole 2 3/16 inch,
distance (B): 1 3/8" material up to 5/8" thick;
316 polished stainless steel



#46.108 Flush Pull Lift with Latch and Strike
Dimension: 60 x 42 x 15 mm; **Pull Out** to release
Angle strike 15 x 15 x 42 mm; Door thickness: 5/8" or 15 mm
Polished Chrome Plated Brass



Izerwaren
Order
numbers

- 316 Stainless steel slam latch with lift ring
- sea water resistant
- slam action when closing
- strike included
- finish: Lift ring polished stainless steel 316; body and cam: satin finish

SLAM LATCH WITH LIFT RING

Polished 316 stainless steel



- 43.F01 Slam latch for hatches**
Set: 1x latch, 1 mounting ring with screws; 1 strike
Diameter: 2 3/8"
Built in diameter: 2"
Material thickness: from 1/4" up to 13/16"
Spring loaded slam action on latch bolt

- 43.F02 Slam latch for hatches, with locking with key**

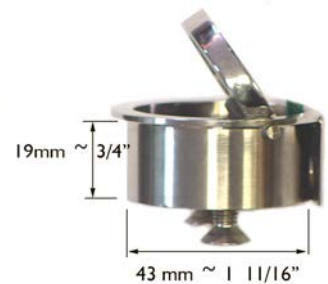
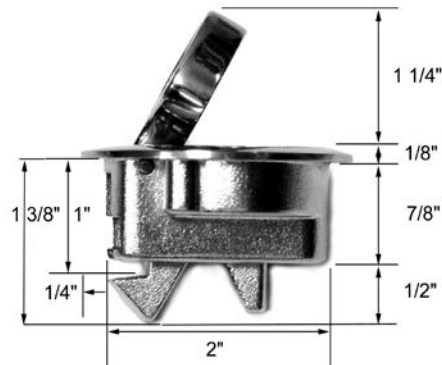


#43.F01 Slam latch



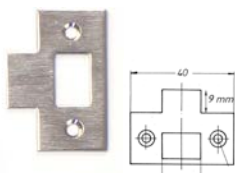
Mounting ring; 2 3/8" diameter

#43.F01
Installation body: Drill hole: 2" Ø



#43.505 Cabinet latch. Flush Slam Latch Mirror Polished 316 Stainless Steel Drill hole: 1 11/16" ~ 43 mm
Designed for 3/4 inch ~ 19 mm thick material. All parts high quality 316 stainless steel.

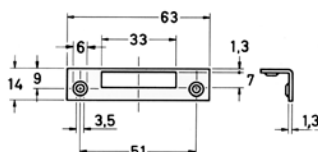
Strike plates:



#22.098S Brass nickel



#22.0971 Brass nickel



#22.099 Roller Bolt stainless steel



#23.012 brass nickel